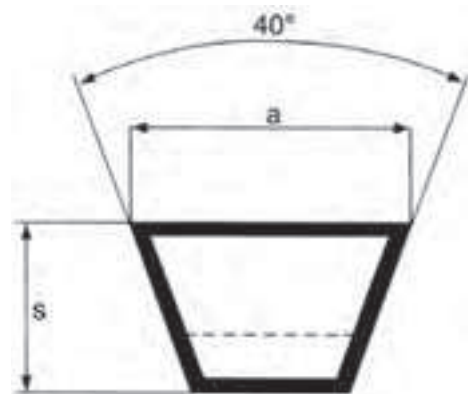


GOLD LABEL COG BELT

section	AX	BX	CX	DX
a (mm)	13	17	22	32
s (mm)	8	11	14	19
pitch length - internal length = Δ_i (mm)	33	43	62	76
external length - pitch length = Δ_e (mm)	17	26	26	43
weight (gr/m)	114	162	297	584
min. pulley diam. (mm)	63	90	140	210
working temperature	-30°C ÷ +90°C			
relevant standards	RMA/MPTA IP20 - DIN 2215			
materials	CR blend - polyester cord			



NEW AND IMPROVED POWER WEDGE COG BELT

Higher power ratings and greater design flexibility: the new Gold Label Cog Belt can reduce space, weight and drive costs, transmitting a higher torque with less slippage and reducing energy costs. The Power Wedge Cog Belt is heat and oil resistant.



- Higher power ratings
- Longer life
- Improved dimensional control/matching
- High efficiency molded cogs
- Improved belt flexibility, reduced bending stress
- Improved wedging, less slip
- Smooth running
- More tolerant of low tension
- More energy savings
- Controlled response to shock loads



AX SECTION

Code	External length L _e (mm)	Code	External length L _e (mm)	Code	External length L _e (mm)	Code	External length L _e (mm)	Code	External length L _e (mm)	Code	External length L _e (mm)	Code	External length L _e (mm)	Code	External length L _e (mm)	Code	External length L _e (mm)
AX 21	585	AX 31	850	AX 41	1095	AX 51	1350	AX 61	1600	AX 71	1865	AX 81	2120	AX 91	2360	AX 105	2730
AX 22	610	AX 32	865	AX 42	1120	AX 52	1375	AX 62	1630	AX 72	1890	AX 82	2140	AX 92	2390	AX 110	2850
AX 23	635	AX 33	900	AX 43	1150	AX 53	1400	AX 63	1655	AX 73	1905	AX 83	2160	AX 93	2420	AX 112	2910
AX 24	665	AX 34	915	AX 44	1170	AX 54	1425	AX 64	1680	AX 74	1935	AX 84	2190	AX 94	2440	AX 120	3110
AX 25	690	AX 35	950	AX 45	1195	AX 55	1450	AX 65	1710	AX 75	1965	AX 85	2220	AX 95	2470	AX 128	3310
AX 26	710	AX 36	965	AX 46	1230	AX 56	1475	AX 66	1730	AX 76	1985	AX 86	2240	AX 96	2500	AX 136	3510
AX 27	750	AX 37	1000	AX 47	1245	AX 57	1500	AX 67	1760	AX 77	2010	AX 87	2260	AX 97	2520	AX 144	3710
AX 28	765	AX 38	1020	AX 48	1270	AX 58	1525	AX 68	1790	AX 78	2030	AX 88	2290	AX 98	2540	AX 158	4070
AX 29	800	AX 39	1045	AX 49	1300	AX 59	1550	AX 69	1810	AX 79	2060	AX 89	2310	AX 100	2600	AX 173	4450
AX 30	815	AX 40	1075	AX 50	1325	AX 60	1585	AX 70	1830	AX 80	2080	AX 90	2350	AX 103	2670	AX 180	4620



BX SECTION

Code	External length L _e (mm)	Code	External length L _e (mm)	Code	External length L _e (mm)	Code	External length L _e (mm)	Code	External length L _e (mm)	Code	External length L _e (mm)	Code	External length L _e (mm)	Code	External length L _e (mm)	Code	External length L _e (mm)
BX 28	785	BX 44	1190	BX 55	1470	BX 66	1750	BX 77	2030	BX 88	2310	BX 99	2590	BX 123	3200	BX 158	4090
BX 30	835	BX 45	1215	BX 56	1500	BX 67	1775	BX 78	2050	BX 89	2330	BX 100	2620	BX 124	3220	BX 162	4200
BX 32	885	BX 46	1250	BX 57	1520	BX 68	1800	BX 79	2080	BX 90	2360	BX 103	2690	BX 126	3270	BX 173	4480
BX 34	935	BX 47	1265	BX 58	1545	BX 69	1825	BX 80	2110	BX 91	2390	BX 105	2740	BX 128	3330	BX 180	4650
BX 35	960	BX 48	1295	BX 59	1570	BX 70	1850	BX 81	2130	BX 92	2410	BX 106	2770	BX 133	3450	BX 191	4930
BX 36	990	BX 49	1320	BX 60	1600	BX 71	1875	BX 82	2160	BX 93	2440	BX 108	2820	BX 136	3530	BX 195	5040
BX 38	1040	BX 50	1345	BX 61	1625	BX 72	1900	BX 83	2180	BX 94	2460	BX 112	2920	BX 140	3630		
BX 40	1090	BX 51	1370	BX 62	1650	BX 73	1930	BX 84	2210	BX 95	2500	BX 113	2940	BX 144	3740		
BX 41	1120	BX 52	1400	BX 63	1675	BX 74	1955	BX 85	2240	BX 96	2510	BX 115	2990	BX 148	3830		
BX 42	1140	BX 53	1420	BX 64	1700	BX 75	1980	BX 86	2260	BX 97	2540	BX 116	3020	BX 150	3880		
BX 43	1165	BX 54	1445	BX 65	1725	BX 76	2000	BX 87	2280	BX 98	2560	BX 120	3130	BX 154	3990		



CX SECTION

Code	External length L _e (mm)	Code	External length L _e (mm)	Code	External length L _e (mm)	Code	External length L _e (mm)	Code	External length L _e (mm)	Code	External length L _e (mm)	Code	External length L _e (mm)	Code	External length L _e (mm)	Code	External length L _e (mm)
CX 51	1400	CX 72	1935	CX 85	2270	CX 101	2670	CX 112	2950	CX 136	3550	CX 158	4120				
CX 55	1500	CX 75	2000	CX 90	2390	CX 105	2770	CX 115	3030	CX 144	3760	CX 162	4220				
CX 60	1630	CX 78	2090	CX 96	2540	CX 109	2870	CX 120	3150	CX 148	3860	CX 173	4500				
CX 68	1830	CX 81	2160	CX 100	2650	CX 111	2920	CX 128	3350	CX 150	3920	CX 180	4680				

